

CPDQ5V0MAHT-HF

RoHS Device

Halogen Free



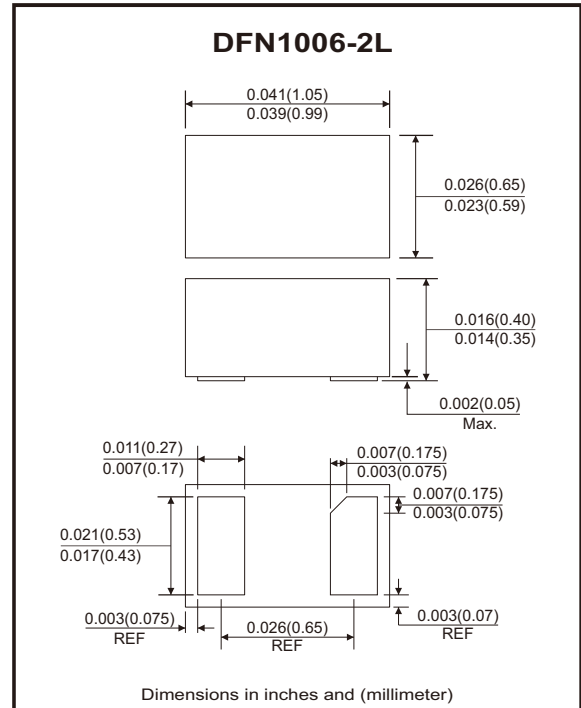
Features

- Small body outline dimensions.
- Protects one I/O or power line.
- Low leakage current.
- IEC 61000-4-2 (ESD) ± 30 kV (air/contact)
- IEC 61000-4-5 (Lightning) 90A (8/20 μ s)

Mechanical data

- Case: DFN1006-2L package, molded plastic.
- Mounting position: Any.

Circuit Diagram



Maximum Rating (at TA=25°C unless otherwise noted)

Parameter	Conditions	Symbol	Value	Unit
Peak pulse power	$T_P = 8/20\mu s$	P_{PP}	1080	W
Peak pulse current	$T_P = 8/20\mu s$	I_{PP}	90	A
ESD capability	IEC 61000-4-2(air) IEC 61000-4-2(contact)	ESD	± 30	kV
Operating temperature range		T_J	-55 to +125	°C
Storage temperature range		T_{STG}	-55 to +150	°C

Electrical Characteristics (at TA=25°C unless otherwise noted)

Parameter	Conditions	Symbol	Min	Typ	Max	Unit
Reverse stand-off voltage		V_{RWM}			5	V
Reverse breakdown voltage	$I_T = 1mA$	V_{BR}	6			V
Reverse leakage current	$V_{RWM} = 5V$	I_R			200	nA
Clamping voltage	$I_{PP} = 90A, T_P = 8/20\mu s$	V_C		10	12	V
Dynamic resistance (Note 1, 2)		R_{DYN}		0.01		Ω
Clamping voltage (Note 1)	$I_{PP} = 4A, T_P = 100ns$	V_C		6.49		V
	$I_{PP} = 16A, T_P = 100ns$	V_C		6.66		V
Junction capacitance	$V_R = 0V, f = 1MHz$	C_J		200	240	pF

Notes: 1. TLP setting: $t_p=100ns, t_r=0.2ns$, ITLP and VTLP sample window: $t_1=70ns$ to $t_2=90ns$.
2. Dynamic resistance calculated from $I_{PP}=4A$ to $I_{PP}=16A$ using "Best Fit".

Typical Rating and Characteristic Curves (CPDQ5V0MAHT-HF)

Fig.1 - Peak Pulse Power vs Pulse Time

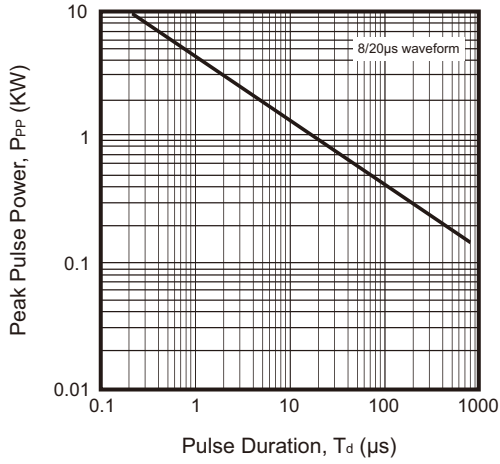


Fig.2 - Power Derating Curve

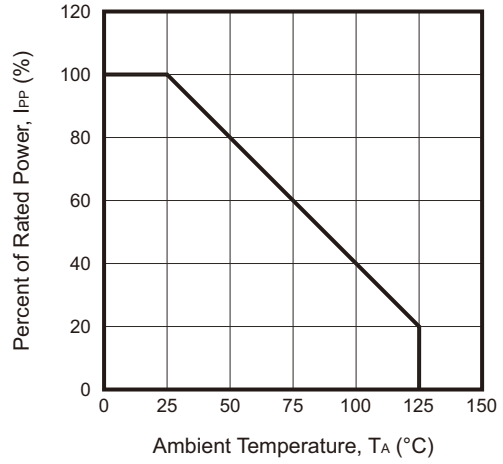


Fig.3 - Clamping Voltage vs. Peak Pulse Current

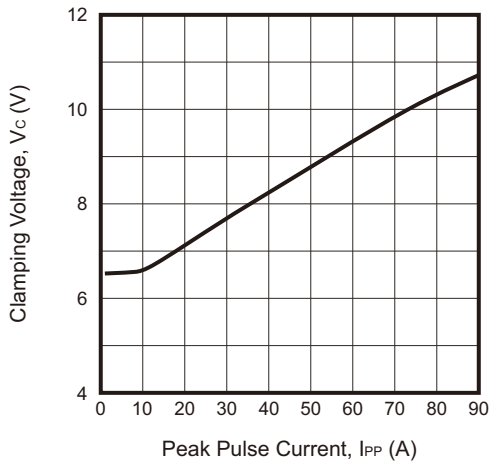


Fig.4 - Typical Capacitance Between Terminals Characteristics

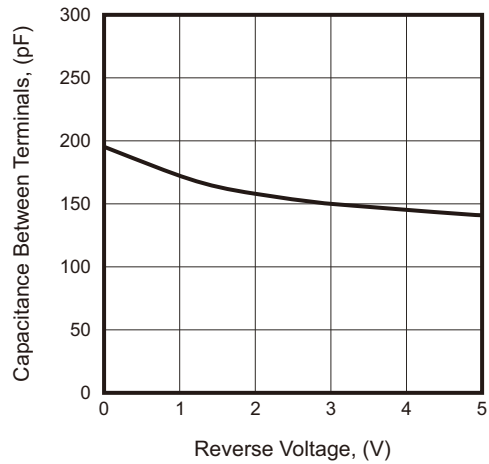


Fig.5 - TLP- Positive Pulse

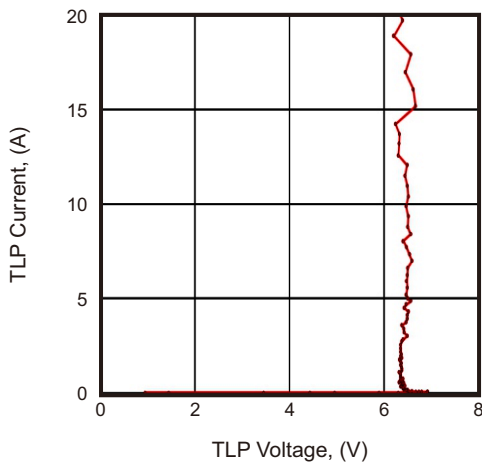
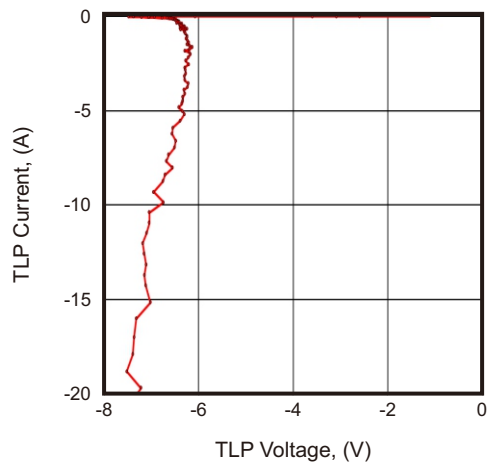
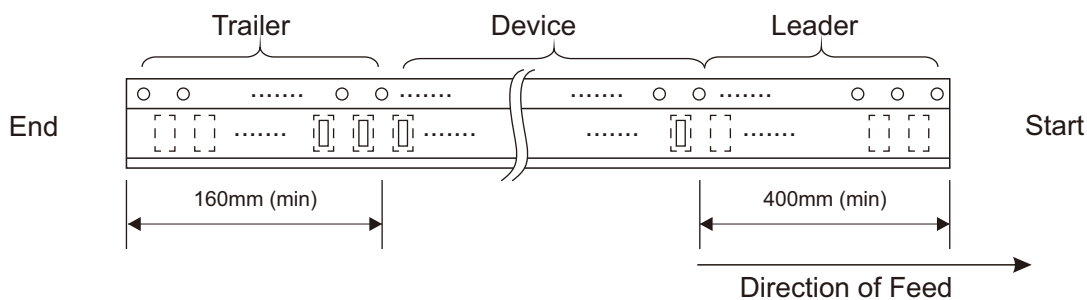
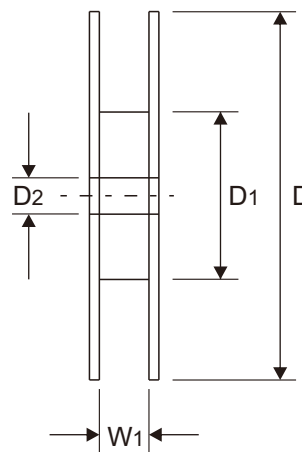
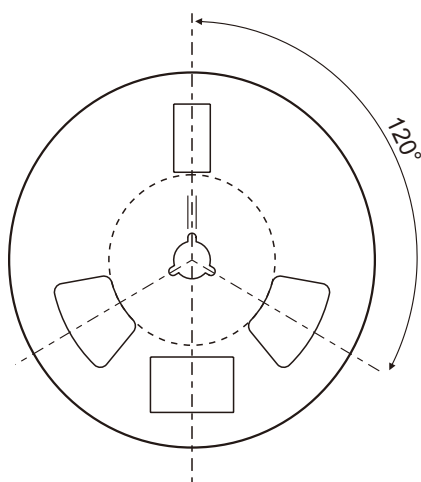
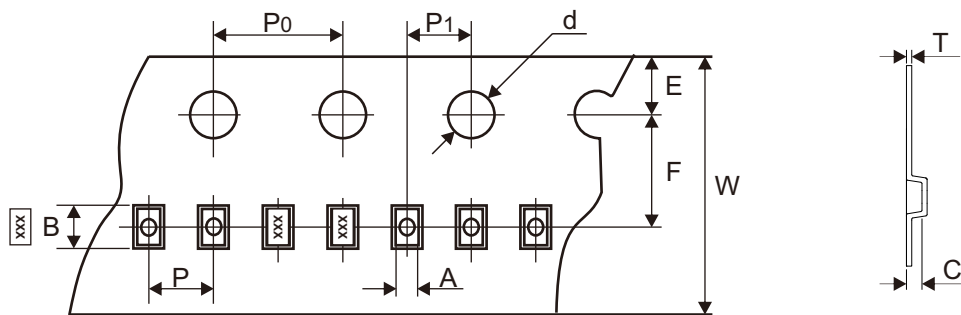


Fig.6 - TLP- Negative Pulse



Reel Taping Specification



DFN1006 -2L	SYMBOL	A	B	C	d	D	D1	D2
	(mm)	0.68 + 0.07 - 0.04	1.19 + 0.05 - 0.12	0.48 + 0.10 - 0.05	1.55 ± 0.05	181.00 Max	55.00 ± 5.00	13.00 + 0.50 - 0.20
	(inch)	0.027 + 0.003 - 0.002	0.047 + 0.002 - 0.005	0.019 + 0.004 - 0.002	0.061 ± 0.002	7.126 Max	2.165 ± 0.197	0.512 + 0.020 - 0.008

DFN1006 -2L	SYMBOL	E	F	P	P0	P1	T	W	W1
	(mm)	1.75 ± 0.10	3.50 ± 0.05	2.00 ± 0.10	4.00 ± 0.10	2.00 ± 0.05	0.21 ± 0.04	8.00 + 0.30 - 0.10	11.60 Max
	(inch)	0.069 ± 0.004	0.138 ± 0.002	0.079 ± 0.004	0.157 ± 0.004	0.079 ± 0.002	0.008 ± 0.002	0.315 + 0.012 - 0.004	0.457 Max

Marking Code

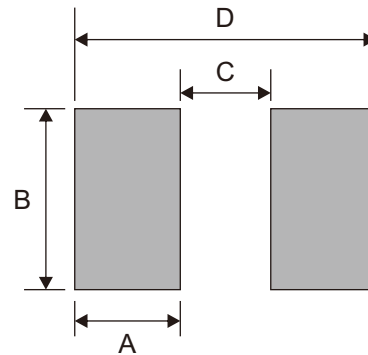
Part Number	Marking Code
CPDQ5V0MAHT-HF	V



XX = Control code

Suggested P.C.B. PAD Layout

SIZE	DFN1006-2L	
	(mm)	(inch)
A	0.35	0.014
B	0.60	0.024
C	0.30	0.012
D	1.00	0.039



Standard Packaging

Case Type	REEL PACK	
	REEL (pcs)	Reel Size (inch)
DFN1006-2L	10,000	7